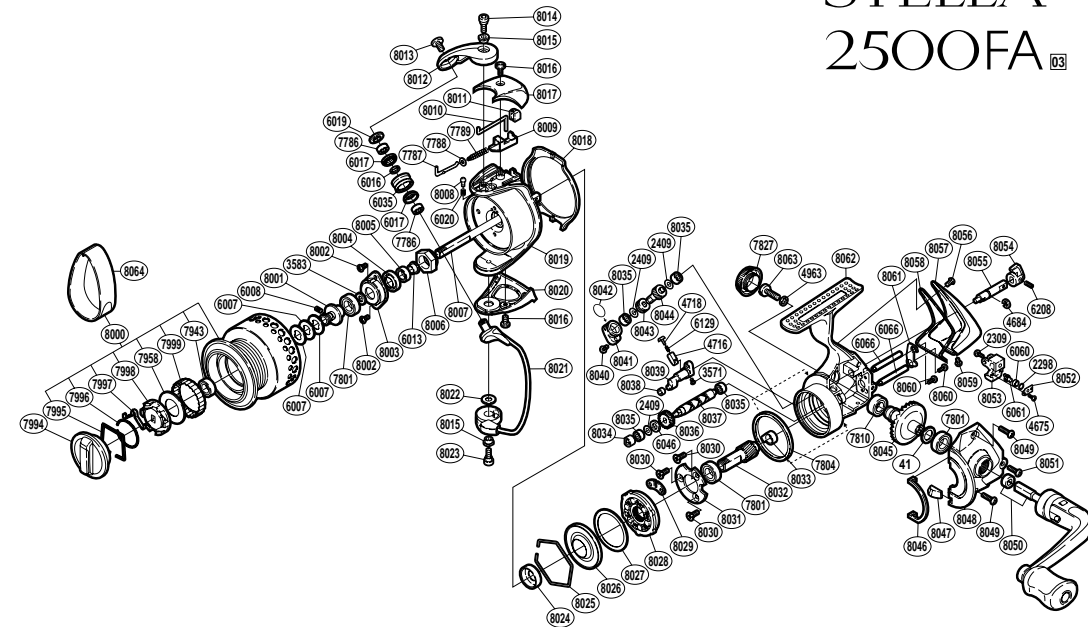


STELLA[®] 2500FA⁰³



RD No.	PARTS NAMES	RD No.	PARTS NAMES	RD No.	PARTS NAMES
0041	Drive Gear Washer	7995	Drag Washers Retainer	8031	Bearing Retainer
2298	Spacer	7996	Click Spring Retainer	8032	Pinion Gear
2309	Slider Retainer Screw	7997	Click Spring	8033	Bushing
2409	Worm Shaft Spacer	7998	Drag Click Holder	8034	Worm Bushing
3538	Spool Support	7999	Drag Click Collar	8035	Ball Bearing
3571	Anti-Reverse Cam Screw	8000	Spool Assembly	8036	Idle Gear
4675	Oscillating Pawl Cover Screw	8001	Bearing Bushing	8037	Worm Shaft
4684	"E" Lock	8002	Nut Lock Screw	8038	Anti-Reverse Cam Ring
4716	Spring Guide (B)	8003	Rotor Nut Lock Plate	8039	Anti-Reverse Cam
4718	Spring Guide (A)	8004	Bearing Water Proof	8040	Gear Cover Screw
4963	Handle Lock Washer	8005	Ball Bearing	8041	Gear Cover
6007	Spool Washer	8006	Rotor Nut	8042	Gear Cover Seal
6008	Set Screw	8007	Main Shaft	8043	Idle Gear (B)
6013	Main Shaft Spacer	8008	Click Pin	8044	Pinion Worm Gear
6016	Bearing Spacer	8009	Bail Spring Seat	8045	Drive Gear
6017	Line Roller Bushing	8010	Bail Trip Lever	8046	Flange Water Proof
6019	Line Roller Washer	8011	Bail Trip Cover	8047	Bail Trip Strike
6020	Click Spring	8012	Bail Arm	8048	Side Cover
6035	Line Roller	8013	Line Roller Screw	8049	Side Cover Screw (long)
6046	Idle Gear Washer	8014	Bail Arm Screw	8050	Handle Assembly
6060	Oscillating Slider Bushing	8015	Bail Arm Screw Collar	8051	Side Cover Screw (short)
6061	Oscillating Pawl	8016	Multi-Purpose Screw	8052	Oscillating Pawl Cover
6066	Oscillating Guide (B)	8017	Bail Spring Cover	8053	Oscillating Slider
6129	Lever Spring	8018	Rotor Guard	8054	Anti-Reverse Lever
6208	Set Screw	8019	Rotor	8055	Anti-Reverse Lever Shaft
7786	Ball Bearing	8020	Bail Hold Support Guard	8056	Protector Screw (C)
7787	Bail Spring Guide (A)	8021	Bail Assembly	8057	Rear Protector
7788	Spring Guide (A) Support	8022	Bail Hold Support Washer	8058	Rear Shield
7789	Bail Spring	8023	Bail Hold Support Screw	8059	Protector Screw (D)
7801	Ball Bearing	8024	Rotor Ring	8060	Worm Shaft Retainer Screw
7804	Friction Ring	8025	Roller Clutch Water Proof Retainer	8061	Worm Shaft Retainer
7810	Ball Bearing	8026	Roller Clutch Water Proof	8062	Body
7827	Handle Screw Cap	8027	Roller Clutch Outer Spacer	8063	Handle Lock Screw
7943	Ball Bearing	8028	Roller Clutch Assembly		
7958	Drag Washer	8029	Clutch Insole		
7994	Drag Knob	8030	Bearing Retainer Screw	8064	Line Band (S)