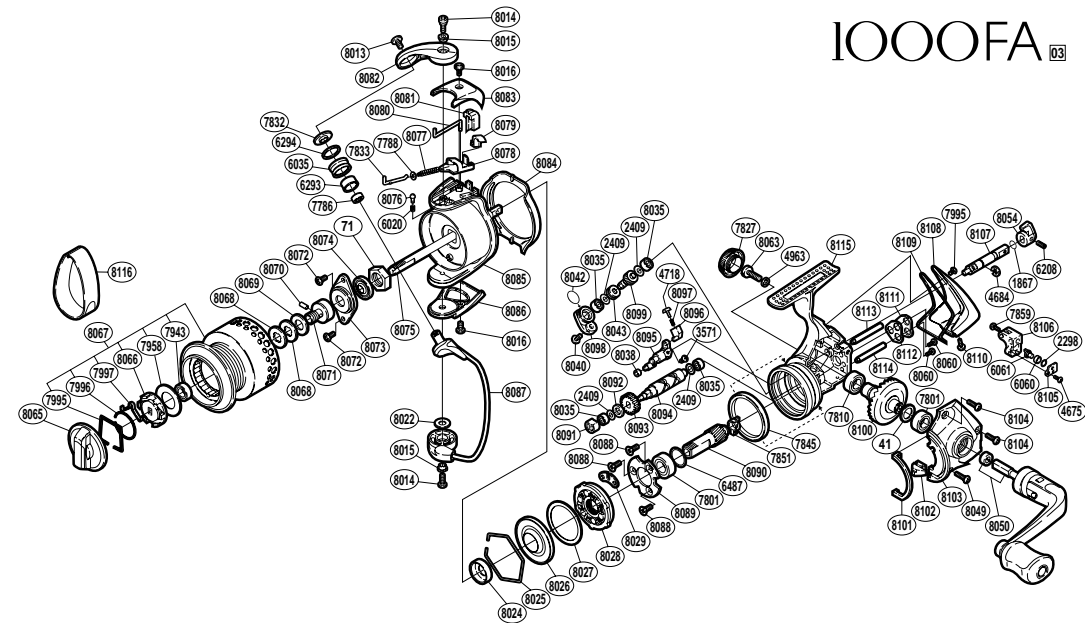


STELLA[®]

1000FA 03



RD No.	PARTS NAMES	RD No.	PARTS NAMES	RD No.	PARTS NAMES
0041	Drive Gear Washer	8016	Multi-Purpose Screw	8083	Bail Spring Cover
0071	Rotor Nut	8022	Bail Hold Support Washer	8084	Rotor Guard
1867	"O" Ring	8024	Rotor Ring	8085	Rotor
2298	Spacer	8025	Roller Clutch Water Proof Retainer	8086	Bail Hold Support Guard
2409	Worm Shaft Spacer	8026	Roller Clutch Water Proof	8087	Bail Assembly
3571	Anti-Reverse Cam Screw	8027	Roller Clutch Outer Spacer	8088	Bearing Retainer Screw
4675	Oscillating Pawl Cover Screw	8028	Roller Clutch Assembly	8089	Bearing Retainer
4684	"E" Lock	8029	Clutch Insole	8090	Pinion Gear
4718	Spring Guide (A)	8035	Ball Bearing	8091	Worm Bushing
4963	Handle Lock Washer	8038	Anti-Reverse Cam Ring	8092	Worm Shaft Spacer
6020	Click Spring	8040	Gear Cover Screw	8093	Idle Gear
6035	Line Roller	8042	Gear Cover Seal	8094	Worm Shaft
6060	Oscillating Slider Bushing	8043	Idle Gear (B)	8095	Anti-Reverse Cam
6061	Oscillating Pawl	8049	Side Cover Screw (long)	8096	Spring Guide (B)
6208	Set Screw	8050	Handle Assembly	8097	Anti-Reverse Cam Spring
6293	Line Roller Bushing	8054	Anti-Reverse Lever	8098	Gear Cover
6294	Line Roller Spacer	8060	Worm Shaft Retainer Screw	8099	Pinion Worm Gear
6487	Adjusting Washer	8063	Handle Lock Screw	8100	Drive Gear
7786	Ball Bearing	8065	Drag Knob	8101	Flange Water Proof
7788	Spring Guide (A) Support	8066	Drag Click Holder	8102	Bail Trip Strike
7801	Ball Bearing	8067	Spool Assembly	8103	Side Cover
7810	Ball Bearing	8068	Spool Washer	8104	Side Cover Screw (short)
7827	Handle Screw Cap	8069	Bearing Guide Pin Retainer	8105	Oscillating Pawl Cover
7832	Line Roller Washer	8070	Bearing Guide Pin	8106	Oscillating Slider
7833	Bail Spring Guide (A)	8071	Bearing Bushing Assembly	8107	Anti-Reverse Lever Shaft
7845	Friction Ring	8072	Nut Lock Screw	8108	Rear Protector
7851	Bushing	8073	Rotor Nut Lock Plate	8109	Rear Shield
7859	Slider Retainer Screw	8074	Bearing Water Proof	8110	Protector Screw (E)
7943	Ball Bearing	8075	Main Shaft	8111	Worm Shaft Retainer
7958	Drag Washer	8076	Click Pin	8112	Worm Shaft Retainer Washer
7995	Drag Washers Retainer	8077	Bail Spring	8113	Oscillating Guide (A)
7996	Click Spring Retainer	8078	Bail Spring Seat	8114	Oscillating Guide (B)
7997	Click Spring	8079	Bail Spring Inner Cover	8115	Body
8013	Line Roller Screw	8080	Bail Trip Lever		
8014	Bail Arm Screw	8081	Bail Trip Cover		
8015	Bail Arm Screw Collar	8082	Bail Arm	8116	Line Band (SS)